



## ARP-3818AP-E01-003

Panel Mount Web Client Panel PC with 18.5 inch PCAP Touch Screen

### Features

- 18.5" LCD, 1366 x 768 / 1920 x 1080 Resolution
- Projected Capacitive Touch Screen
- Aluminum or Stainless-Steel Flush Bezel
- Intel Celeron J1900 @ 1.99GHz / Atom E3845 @ 1.91GHz CPU
- 4GB DDR3 SO-DIMM
- Dual Gigabit Ethernet
- 4 x RS-232/422/485 BIOS Selectable
- 1 x USB 3.0, 3 x USB 2.0 ports

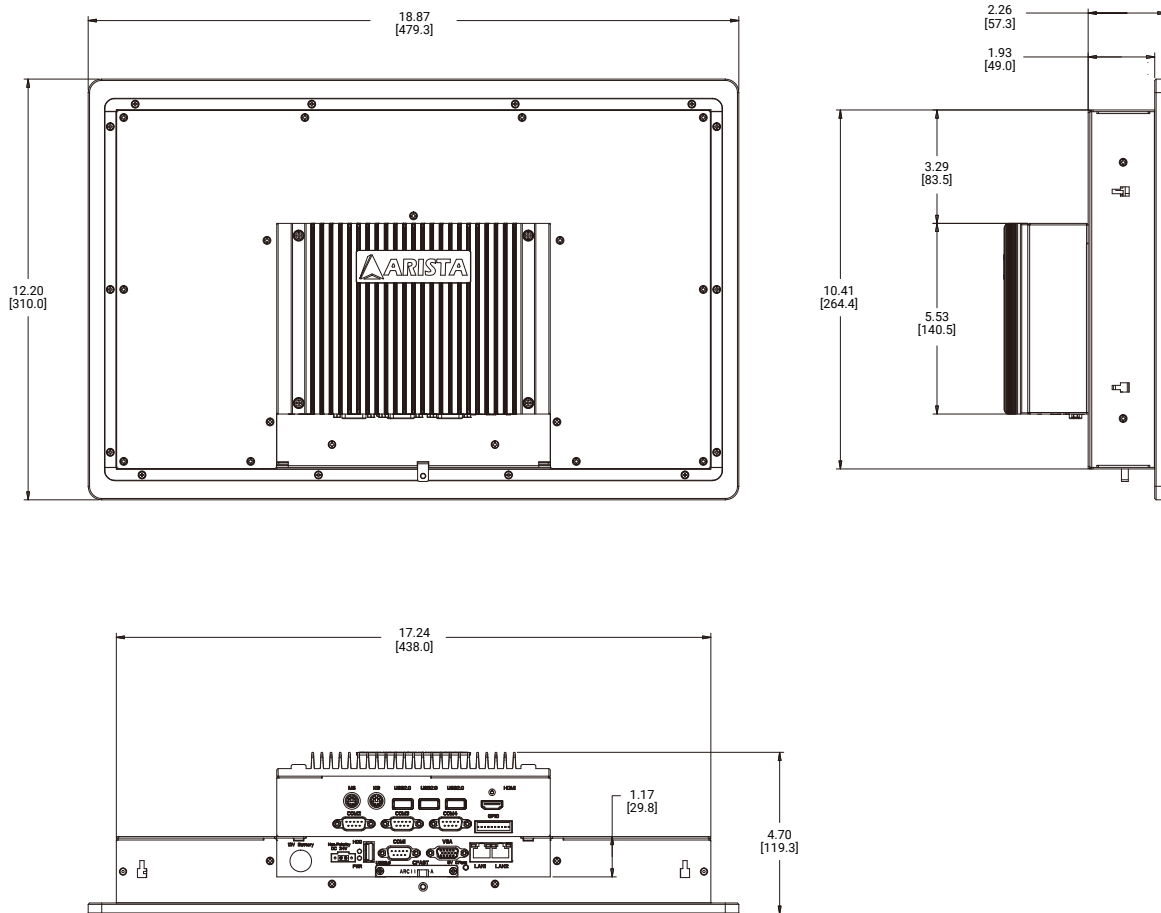
### Specifications

Model Name	ARP-3818AP-E01-003
<b>LCD Display</b>	
Display Size (Diagonal)	18.5 inch
Resolution	1920 x 1080
Backlight Lifetime (Hours)	50,000 hours
<b>Visual Characteristics</b>	
Colors	16.7 million
Aspect Ratio	16:9
Viewing Angle (V/H)	178° / 178°
Contrast Ratio	1000 : 1
Brightness	450 nits (Typical)
<b>Touchscreen</b>	
Technology	Projected Capacitive
Interface	USB
Driver	ThinManager Supported Driver
<b>Front Bezel</b>	
NEMA 4	Aluminum
NEMA 4x	Stainless Steel (Optional)
<b>System</b>	
CPU	Intel Celeron J1900 @ 1.99GHz / Atom E3845 @ 1.91GHz CPU
Chipset	Bay Trail
Memory	4GB DDR3 SO-DIMM
Video Controller	Intel Gen7 Intel Graphics DX 11, OGL3.2
External Video Output	VGA, HDMI
Storage Option	N/A
Compact Flash	N/A
Keyboard / Mouse	USB / PS2
Audio	N/A
Watchdog Timer	Programmable 1 - 255 sec
Remote Boot	ThinManager Ready, PXE
Expansion Slot	Mini PCIe x 2
<b>I/O Communication</b>	
USB Port	1 x USB 3.0, 3 x USB 2.0
Serial Port	4 x RS-232/422/485 BIOS Selectable
IEEE 1394	N/A
LAN	2 x Gigabit
Parallel	N/A
GPIO	N/A
<b>Smart Battery</b>	
External Smart Battery	Optional
<b>OS Support</b>	
OS Support	N/A
<b>Power/Thermal Specs</b>	
Power Requirement (Max)	24VDC / 1.6A
Power Consumption (Max)	38 W
Recommended Power Supply	55W
Heat Dissipation	130 BTU/hr
<b>Physical Information</b>	
Mounting	Panel Mount
Net Weight	--
Dimension (W x H x D)	18.87 x 12.20 x 4.48 inch 479.3 x 310 x 113.8 mm
Recommended Cutout Dimension (WxH)	17.44 x 10.60 inch 443 x 269.4 mm
IP/NEMA Rating	Bezel meets NEAM 4/4X
Certification	UL 61010
<b>Environmental</b>	
Operating Temperature	0~50°C (32~122°F)
Storage Temperature	-20~60°C (-4~140°F)
Relative Humidity	0~95%

## Dimension Drawing

Model Name: ARP-3818AP-E01

Size Unit: inch(mm)



## Ordering Information

Item	ARP-3818AP-E01-003	ARP-3818AP-E01-007
LCD Display	18.5" LCD / 1920 x 1080	18.5" LCD / 1920 x 1080
Touch Screen	Projected Capacitive	Projected Capacitive
Bezel	Aluminum	Stainless Steel
CPU	Intel Celeron J1900 @ 1.99GHz / Atom E3845 @ 1.91GHz CPU	Intel Celeron J1900 @ 1.99GHz / Atom E3845 @ 1.91GHz CPU
Memory	4GB DDR3	4GB DDR3
Storage	N/A	N/A
Remote Boot	ThinManager Ready	ThinManager Ready
Power Supply	110/220VAC Input DIN-Rail	110/220VAC Input DIN-Rail